



The Heart of Industry

IWAKI

IWAKI
MAGNETIC
DRIVE
PUMPS

MX-F



Solutions for chemical handling applications

Chemically resistant magnetic drive pumps which can tolerate abnormal operation

The MX-F series development was based on the concept of optimum reliability under severe operating conditions and features our unique self radiation structure as well as our well-established non contact system.

The MX-F retains excellent durability under abnormal operation such as dry running, cavitation and closed-discharge operation.

High grade materials including ETFE, are utilized as the main wetted materials.

The MX-F series is an excellent choice for reliably handling a wide range of chemicals in various manufacturing processes.



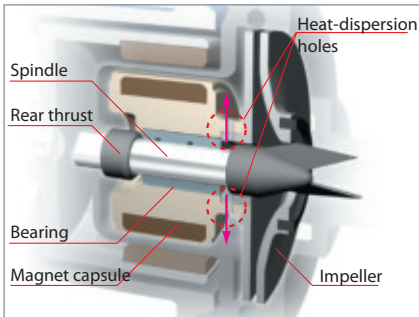
- An improved mechanical strength design allows operation under abnormal conditions and results in reduction of running cost and maintenance cost.
- The adoption of a volute casing divided into two raises efficiency.
- Simply constructed, it is robust and facilitates maintenance.
- Fluororesin, excellent resistance to chemicals.

Self-radiating structure

(International patent applied)

Through heat-dispersion holes provided in the fixed portions of the impeller and the magnet capsule, the liquid around the spindle and the bearing is forced to circulate so that heat generated by sliding can be reduced effectively. Thus, thermal deformation and melt are prevented.

(Except MX-F100)



Non-contact structure

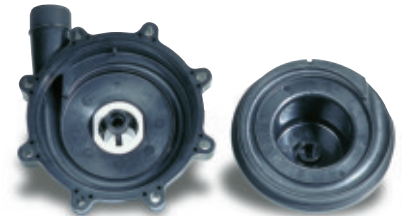
By installing the driving magnet and the driven magnet in an inventive way, the movement of the magnet capsule is controlled by magnetic force to prevent the rear thrust and the rear portion of the bearing coming into contact with each other continuously even during dry running. This structure reduces heat generation and secures lubricant routes.

(Except MX-F100)

Volute casing divided into two sections

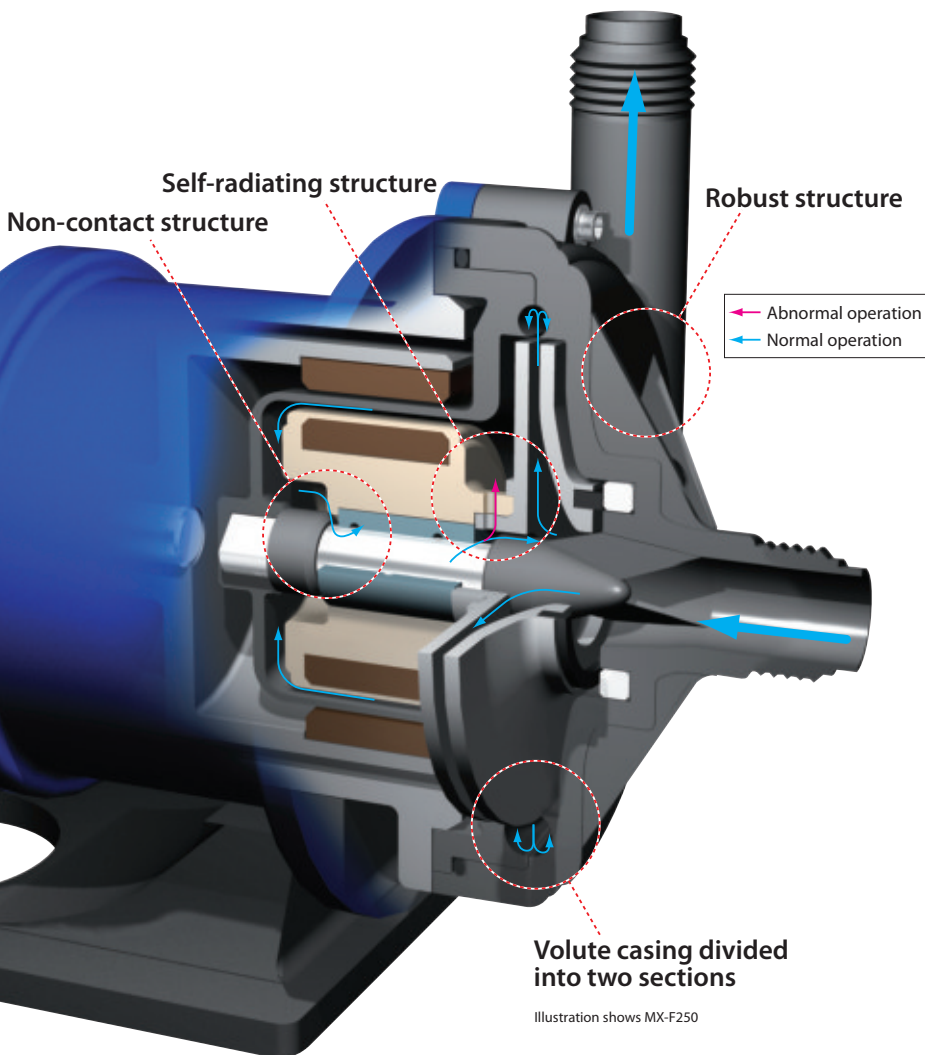
(International patent applied)

The MX-F series is the first resin magnet pump which uses the pump casing divided into the front casing and the rear casing to form a vortex chamber as an ideal form. Therefore, the internal leak phenomenon, which means that the liquid getting out of the impeller returns to the pump casing and is suppressed to a minimum and the liquid is efficiently guided to the discharge port to enhance overall efficiency. (Except MX-F400)



Front casing

Rear casing



Volute casing divided into two sections

Illustration shows MX-F250

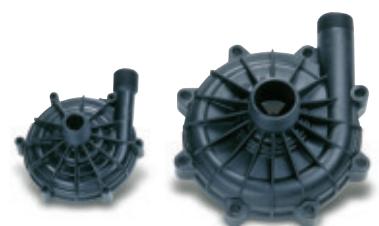
Robust structure

All stress bearing portions, such as the front and rear casings, are reinforced by means of ribs to improve the pressure resistance and the mechanical strength of the pump.

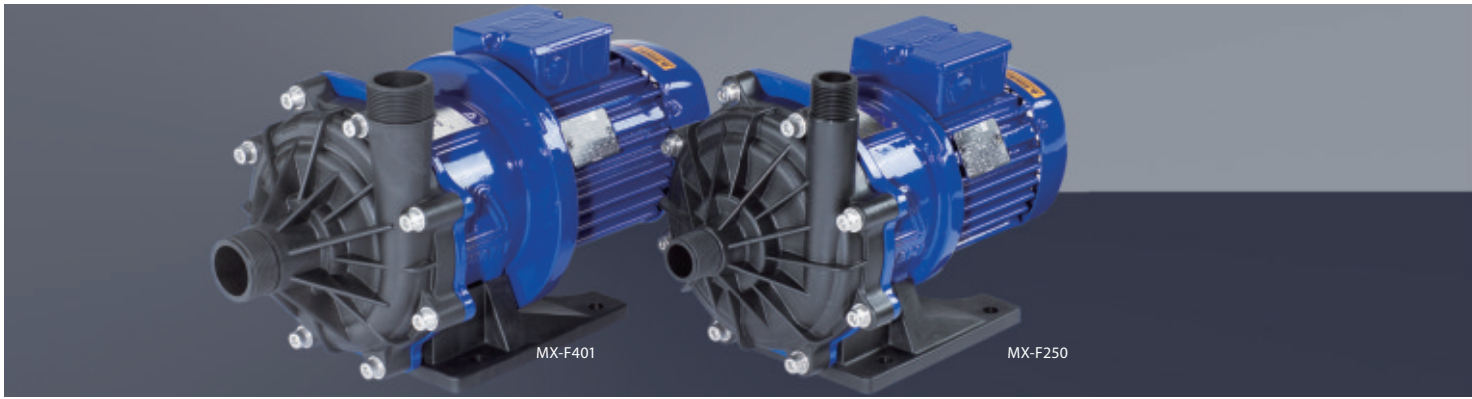
The bearing is not only fixed by conventional press fit but is also sandwiched between the abutting portion in the depth of the magnet capsule and the rear end of the impeller to improve its reliability under high temperature.

(Except MX-F100)

MX-F402 and F403 models: an unplugging preventive lock pin is adopted for ensuring more steady securing.

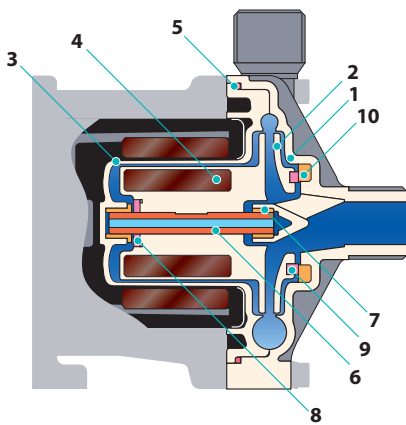


Front casing of type MX-F100 and MX-F402/403

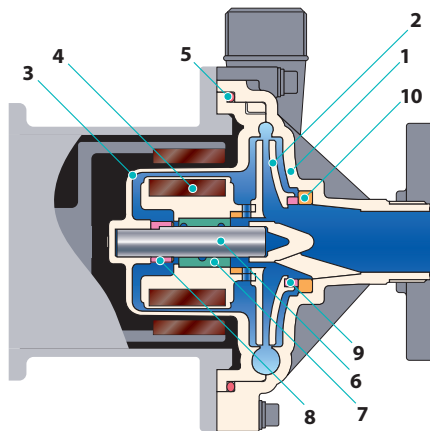


Wet end materials

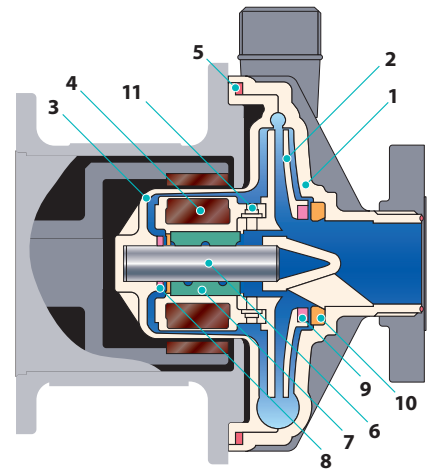
■ MX-F100



■ MX-F250 to F401



■ MX-F402 to F403



Model	MX-F100		MX-F250 to F401			MX-F402 to F403		
	RV	KV	CFV	RFV	KKV	CFV	RFV	KKV
1 Front casing	CFRETFE		CFRETFE			CFRETFE		
2 Impeller	CFRETFE		CFRETFE			CFRETFE		
3 Rear casing	CFRETFE		CFRETFE			CFRETFE		
4 Magnet capsule	CFRETFE		CFRETFE			CFRETFE		
5 O ring <small>Note 1</small>	FKM		FKM			FKM		
6 Spindle	High purity alumina ceramic	SiC	High purity alumina ceramic		SiC	High purity alumina ceramic		SiC
7 Bearing	PTFE	SiC	High density carbon	PTFE	SiC	High density carbon	PTFE	SiC
8 Rear thrust	High purity alumina ceramic	SiC(Front & Rear)	CFRETFE			CFRPFA		
9 Mouth ring	PTFE	-	PTFE		SiC	PTFE		SiC
10 Thrust/Liner ring	High purity alumina ceramic	-	High purity alumina ceramic		SiC	High purity alumina ceramic		SiC
11 Lock pin	-		-			CFRETFE		

Note 1: O-ring made of AFLAS® and EPDM are also available

Precautions for pump selection

- The performance curves on this catalogue are based on clean water of 20 °C. Keep a margin (3% of the curves) when selecting the pump.
- For the MX-F250 or larger models, select a proper impeller size according to specific gravity. Always keep 10% allowance to motor output.

Applicable motor output

$$Sp \times S.G \times (1.1) \leq \text{Motor output Allowance}$$

- The magnetic drive pump is not durable for a long time in closed-discharge operation. Always keep the minimum flow.

Minimum flow

MX-F100, 250, 251, 400, 401: 10 L/min
MX-F402, 403: 20 L/min

- NPSH validation
Observe the following for the prevention of cavitation.

$$NPSHa \geq NPSHr + 0.5 \text{ m Allowance}$$

$$NPSHa = 10^6 \times \frac{(Pa - Pv) \pm hs - hfs}{\rho g}$$

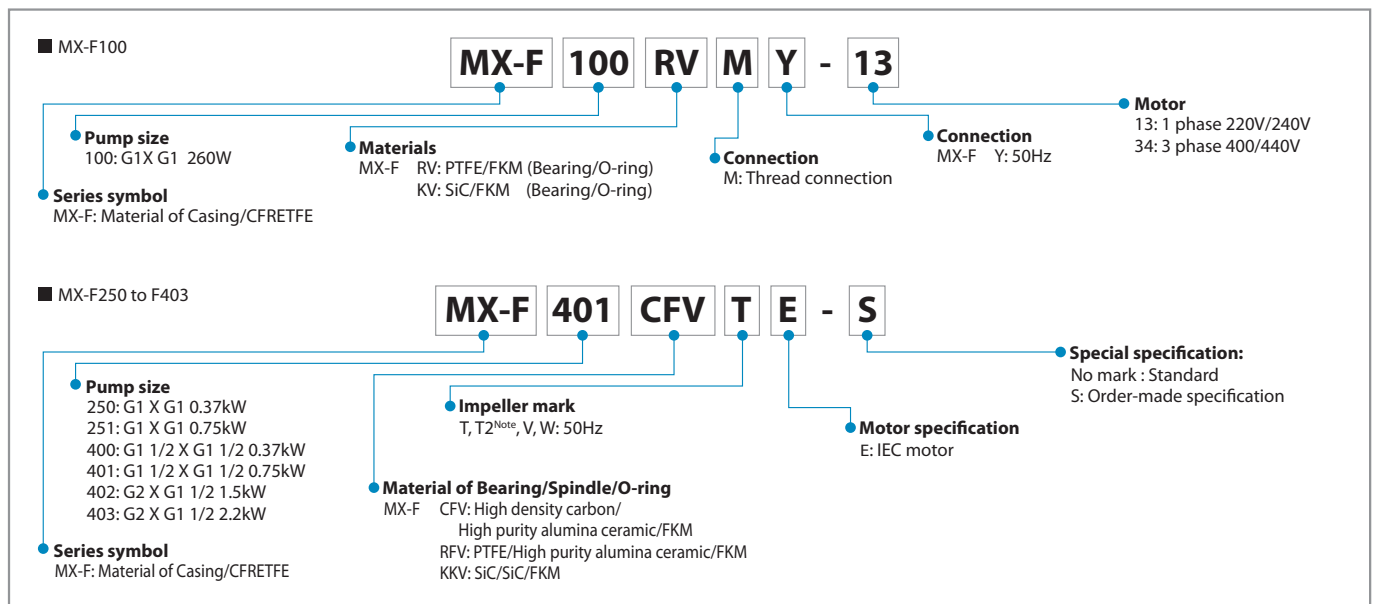
- Maximum withstand pressure

MX-F100: 0.19MPa MX-F400: 0.22MPa
MX-F250: 0.25MPa MX-F401: 0.28MPa
MX-F251: 0.33MPa MX-F402: 0.43MPa
MX-F403: 0.43MPa

NPSHa: Net Positive Suction Head Available (m)
NPSHr: Net Positive Suction Head Required (m)
Pa: Pressure on the suction liquid level (MPa) (Absolute pressure)
Pv: Pressure of saturated vapor (MPa)
hs: Static suction head (m)
hfs: Suction pipe resistance (m)
 ρ : Liquid density (kg/m³)
g: G-force (9.8m/sec²)



Pump identification



Note: "T2" means exclusive for IE2 motor. Applicable models are MX-400/401.

Specifications

Model	Impeller	Connection Suction X Discharge	Limit of specific gravity ^{Note 1}	Standard capacity L/min - m	Maximum capacity L/min	Motor kW	50Hz
							Mass ^{Note 2} kg
MX-F100	Y	G1 x G1	1.9	70 - 5.8	110	0.26	8.5
MX-F250	T	G1 x G1	1.2	50 - 11.7	150	0.37	8.0
MX-F250	V	G1 x G1	1.5	50 - 9.1	145	0.37	8.0
MX-F250	W	G1 x G1	1.8 to 2.0	50 - 6.4	126	0.37	8.0
MX-F251	T	G1 x G1	1.2	80 - 15.7	150	0.75	8.0
MX-F251	V	G1 x G1	1.5	80 - 12.2	150	0.75	8.0
MX-F251	W	G1 x G1	1.8 to 2.0	80 - 9.4	120	0.75	8.0
MX-F400	T	G1 1/2 x G1 1/2	1.2	100 - 10.1	250	0.37	6.5
MX-F400	T2	G1 1/2 x G1 1/2	1.2	100 - 9.0	250	0.37	6.5
MX-F400	V	G1 1/2 x G1 1/2	1.5	100 - 8.1	230	0.37	6.5
MX-F400	W	G1 1/2 x G1 1/2	1.8 to 2.0	100 - 5.5	210	0.37	6.5
MX-F401	T	G1 1/2 x G1 1/2	1.2	150 - 12.8	270	0.75	10.5
MX-F401	T2	G1 1/2 x G1 1/2	1.2	150 - 12.8	270	0.75	10.5
MX-F401	V	G1 1/2 x G1 1/2	1.5	150 - 10.8	260	0.75	10.5
MX-F401	W	G1 1/2 x G1 1/2	1.8 to 2.0	150 - 8.1	240	0.75	10.5
MX-F402	T	G2 x G1 1/2	1.2	200 - 18.3	440	1.5	14.0
MX-F402	V	G2 x G1 1/2	1.5	200 - 16	430	1.5	14.0
MX-F402	W	G2 x G1 1/2	1.8 to 2.0	200 - 12.5	410	1.5	14.0
MX-F403	T	G2 x G1 1/2	1.2	250 - 22.8	510	2.2	15.0
MX-F403	V	G2 x G1 1/2	1.5	250 - 19.4	500	2.2	15.0
MX-F403	W	G2 x G1 1/2	1.8 to 2.0	250 - 15.3	470	2.2	15.0

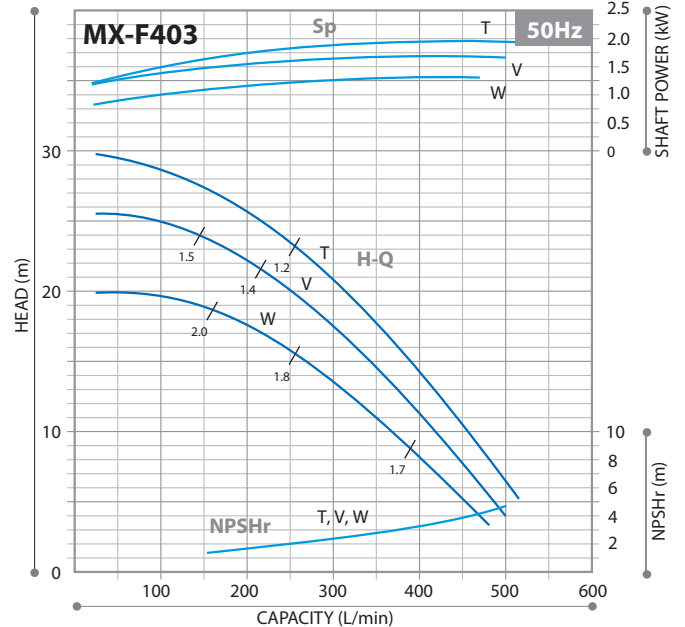
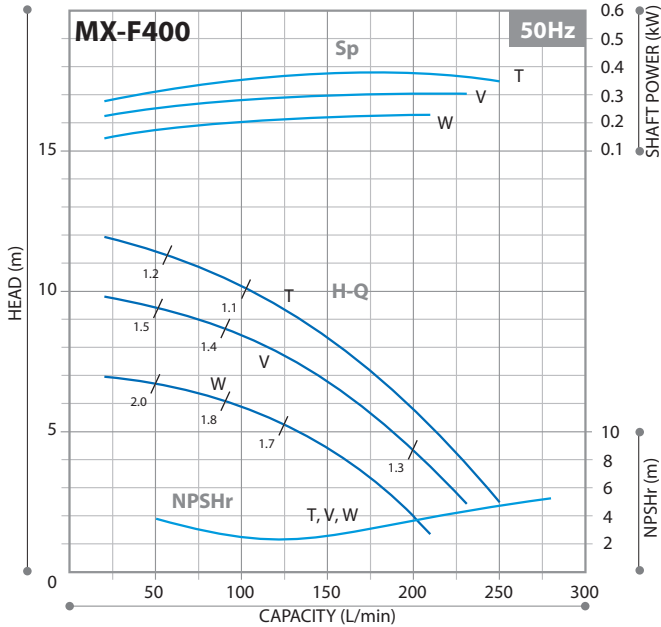
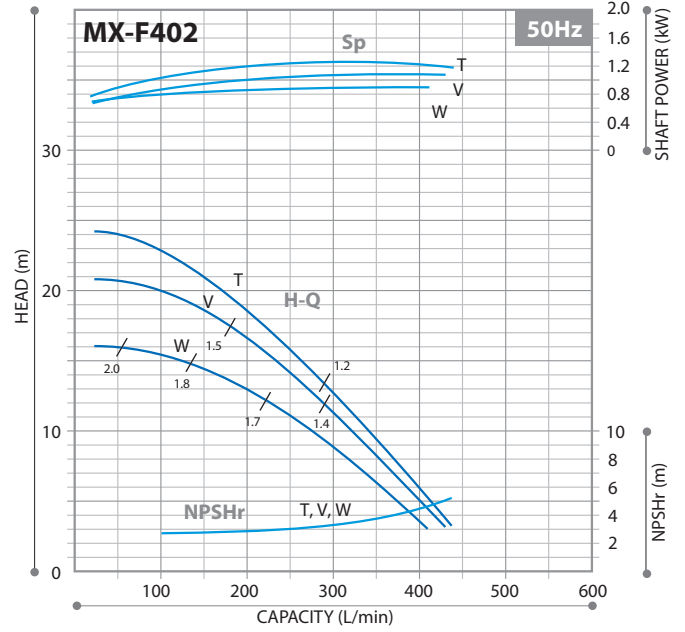
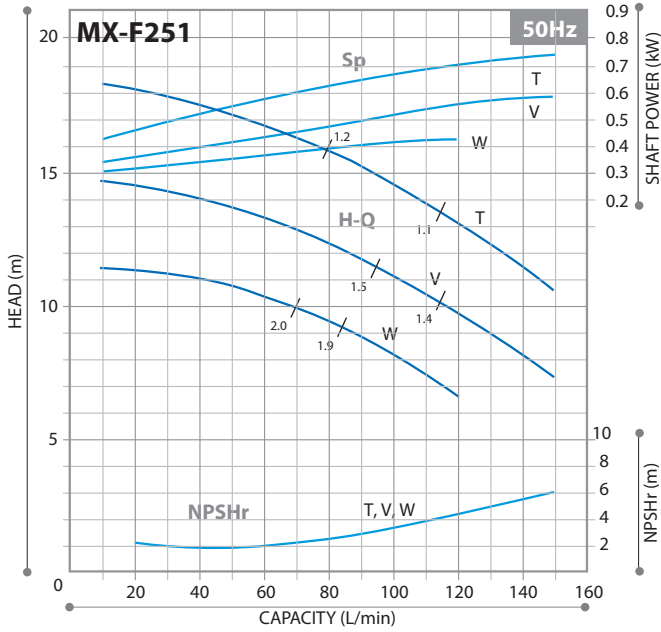
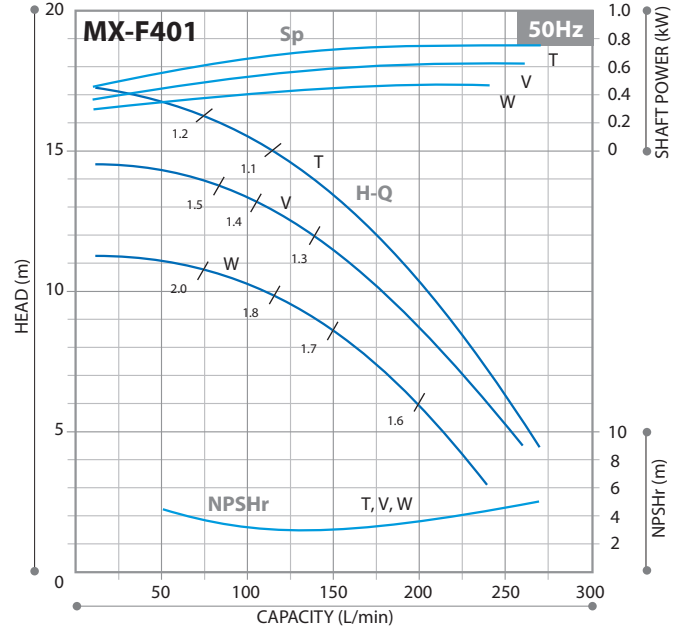
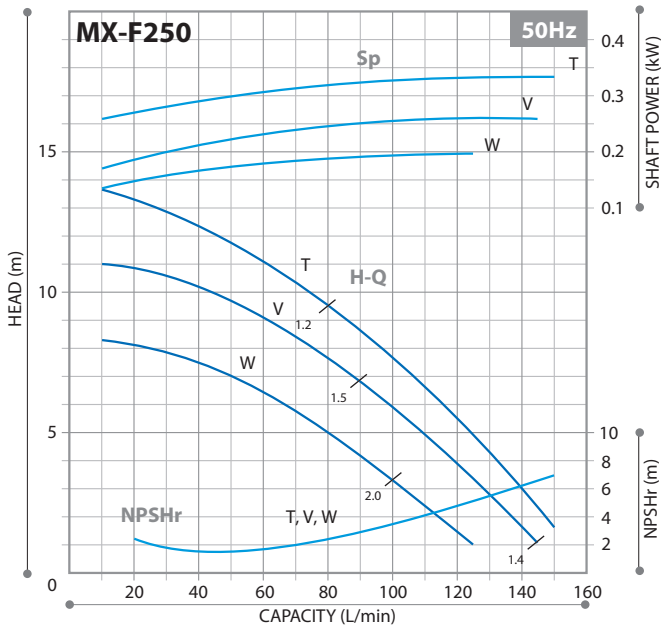
Note 1: The specific gravity limit varies with the discharge. For details, please contact us.

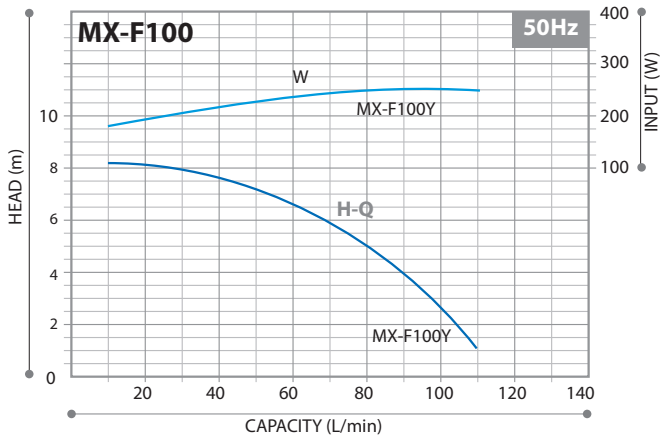
Note 2: Less motor except MD-100F.

Common specifications

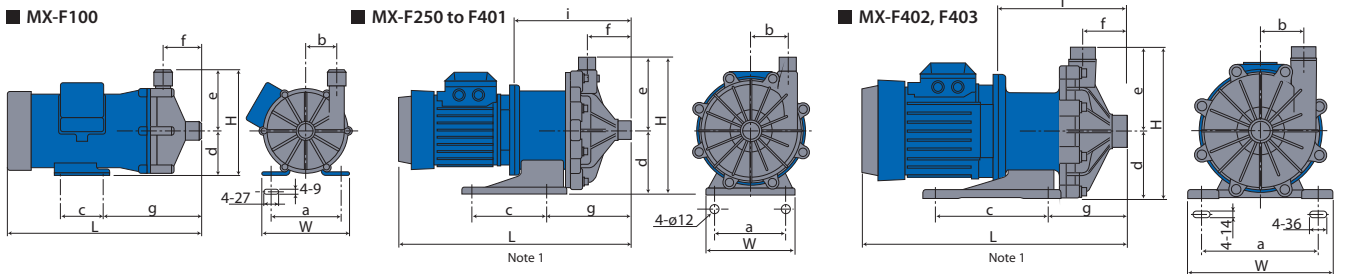
• Range of liquid temperature : 0 to 80°C (10 to 80°C in case AFLAS® O-rings are used.) • Range of ambient temperature : 0 to 40°C.

Performance curves





Dimensions



Models	W	H	L	a	b	c	d	e	f	g	i
MX-F100	150	175	319.5	110	51	70	75	100	65	162	-
MX-F250	160	247.5	-	130	65	130	115	132.5	82.5	155.5	213.5
MX-F251	160	247.5	-	130	65	130	115	132.5	82.5	163.5	225.5
MX-F400	140	219	-	110	54	98	95	124	81	144	215
MX-F401	160	219	-	130	72	130	115	134	97	178	240
MX-F402 to F403	260	274	-	208	80	200	120	154	83	151	235

in mm

• The dimensions L may differ with the type of motor installed.

Optional accessories

Iwaki pump protector DRN series

Detects unusual pump operating conditions including dry-running and overload

The DRN model protects equipment (including pumps) from damage!
 Minimizes production downtime.
 Identifies possible causes of alarms so they can be investigated and addressed.



- | | |
|--------------------|---|
| Multiple Input | Two analog, one digital, one temperature input and one current input |
| Easy operation | Equipped with EASY setup mode to remember the operation status and set the lower/upper limit values, as well as AUTO setup mode |
| Bar graph | Visible indication of current operating status |
| Logging capability | Data log feature for preventative maintenance scheduling |
| Communication | RS485 external communication capability |

Specifications

Model	DRN-01	DRN-02
Amperometric range	0-30.00A	0-200.0A
Unit's source voltage	AC100-240V 50/60Hz 10VA	
Operating temperature	0-40°C	
Operating humidity	35-85%RH	

Iwaki process magnetic drive pump series

MX series

Withstands difficult operating conditions and offers high efficiency

Max. discharge capacity: 500 L/min
Max. discharge head: 35 m
Main materials: GFRPP



SMX series

Versatile self-priming magnetic drive pump with enhanced durability under abnormal operation

Max. discharge capacity: 440 L/min
Max. head: 25.5 m
Main materials: GFRPP, CFRETFE



MXM series

Magnetic drive pumps with an excellent balance of features and performance

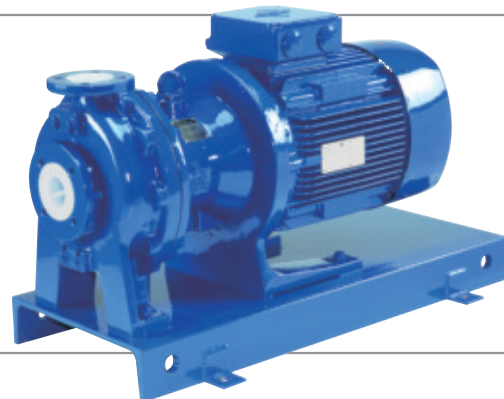
Max. discharge capacity: 600 L/min
Max. head: 29 m
Main materials: CFRETFE



MDM series

Magnetic drive processing pump with dry running capability

Max. discharge capacity: 1.4 m³/min
Max. head: 74 m
Main materials: CRETFE, PFA



<https://www.iwaki.de>

IWAKI Europe GmbH, Siemensring 115, 47877 Willich, Germany

TEL: +49 2154 9254 0 FAX: +49 2154 9254 48 E-Mail: sales@iwaki.de

! Caution for safety use:
Before use of pump, read instruction manual carefully to use the product correctly.

Actual pumps may differ from the photos. Specifications and dimensions are subject to change without prior notice. For further details please contact us.

! Legal attention related to export.

Our products and/or parts of products fall in the category of goods contained in control list of international regime for export control. Please be reminded that export license could be required when products are exported due to export control regulations of countries.

The posting and copying from this catalogue without permission is not accepted firmly.