

IWAKI
MAGNETIC
DRIVE
PUMPS

MX

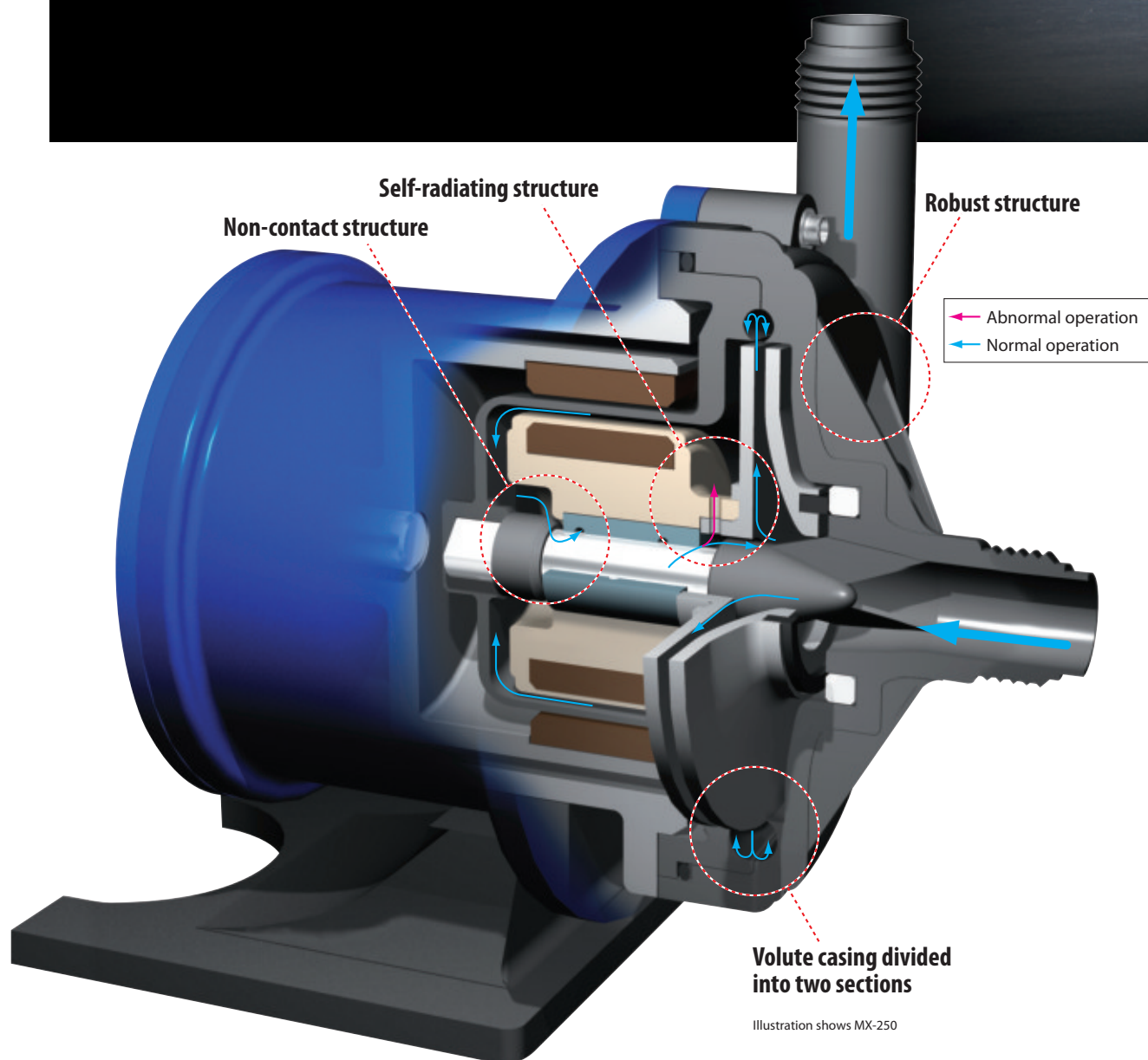


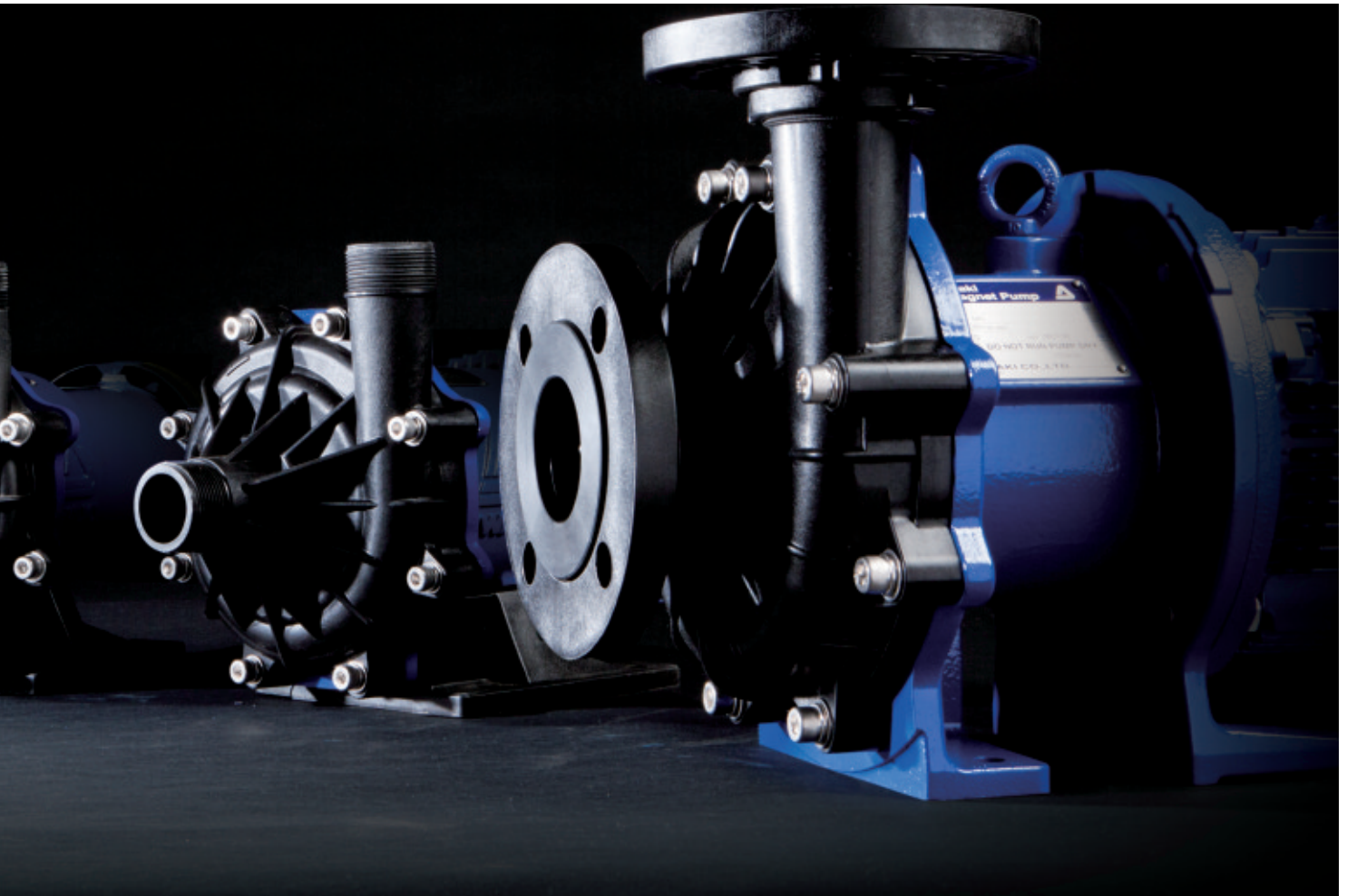
Even better dry-running resistance and efficiency than previous models. Iwaki MX magnetic drive pumps - reliable & energy efficient.

The MX Series represents the latest state of the art design in plastic magnetic drive pumps to meet the most severe of operating conditions.

When fitted with a carbon bearing the MX will allow for brief periods of dry running. The new "self radiating structure" (PAT.) in addition to the existing proven non contact principle and front and rear supported spindle greatly improves the pumps ability to withstand some cavitation and running against closed discharge valve. Our innovative design has achieved higher efficiency. MX series pumps are highly recommended for use in various production processes such as filtering, spraying, washing and etching in surface treatment processes.

- An improved mechanical strength design allows operation under abnormal conditions and results in reduction of running cost and maintenance cost.
- The split-volute casing significantly improves efficiency over previous versions.
- Simple yet robust construction allows easy maintenance.

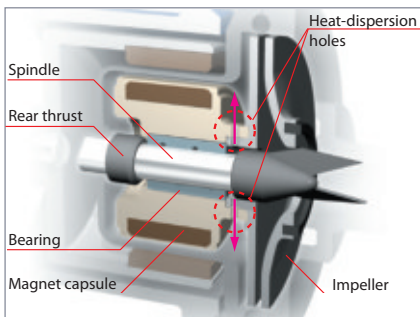




Self-radiating structure (PAT.)

Through heat-dispersion holes provided in the fixed portions of the impeller and the magnet capsule, the liquid around the spindle and the bearing is forced to circulate so that heat generated by sliding can be reduced effectively. Thus, thermal deformation and melt are prevented.

(Except MX-70, 100)



Non-contact structure

By installing the driving magnet and the driven magnet in an inventive way, the movement of the magnet capsule is controlled by magnetic force to prevent the rear thrust and the rear portion of the bearing coming into contact with each other continuously even during

dry running. This structure reduces heat generation and secures lubricant routes. (Except MX-70, 100)

Volute casing divided into two sections (PAT.)

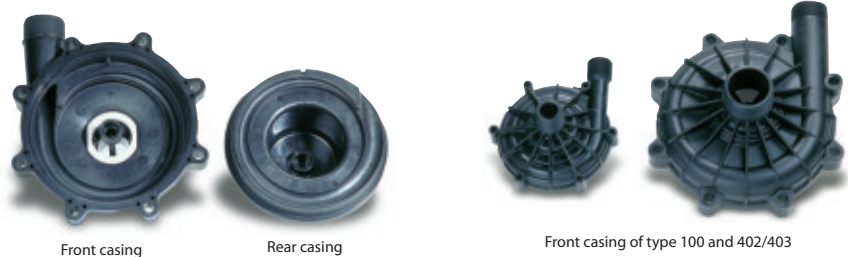
The MX series is the first resin magnet pump which uses the pump casing divided into the front casing and the rear casing to form a vortex chamber as an ideal form. Therefore, the internal leak phenomenon, which means that the liquid getting out of the impeller returns to the pump casing and is suppressed to a minimum and the liquid is efficiently guided to the discharge port to enhance overall efficiency. (Except MX-70/400/505)

Robust structure

All stress bearing portions, such as the front and rear casings, are reinforced by means of ribs to improve the pressure resistance and the mechanical strength of the pump.

The bearing is not only fixed by conventional press fit but is also sandwiched between the abutting portion in the depth of the magnet capsule and the rear end of the impeller to improve its reliability under high temperature. (Except MX-70, 100)

MX-402(H), 403(H) and 505 models: an unplugging preventive lock pin is adopted for ensuring more steady securing.



Front casing

Rear casing

Front casing of type 100 and 402/403

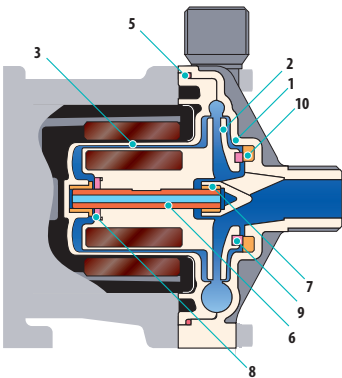


MX-505

MX-403

Wet end materials

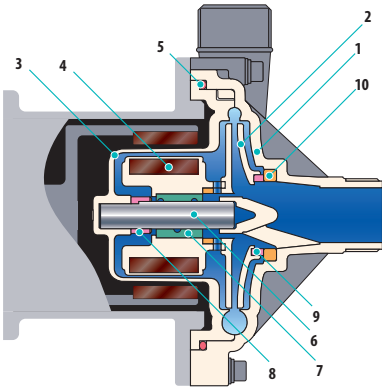
■ MX-70,100



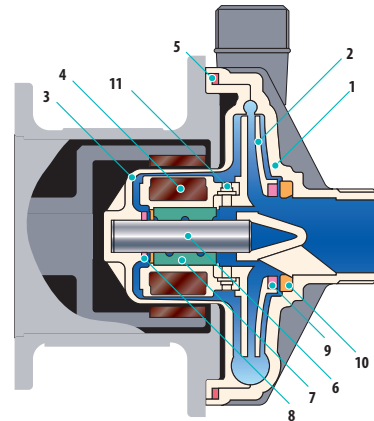
Model	MX-70	MX-100
Mark	V(E)	
1 Front casing	GFRPP	
2 Impeller	CFRPP	
3 Rear casing	GFRPP	
5 O ring	FKM(EPDM)	
6 Spindle	Alumina ceramic	
7 Bearing	CFRPPS	PTFE
9 Mouth ring	-	PTFE
10 Thrust/Liner ring	Alumina ceramic	

Note 1: An O-ring made of AFLAS® is also available

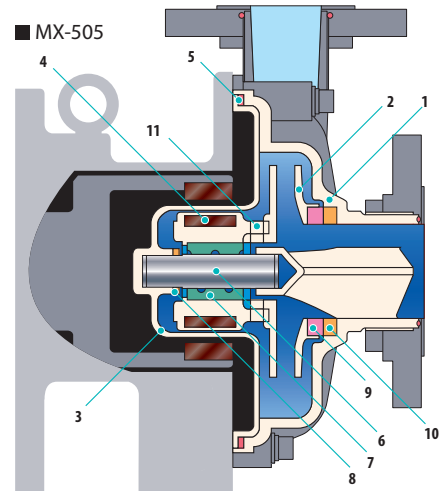
■ MX-250 to 401



■ MX-402 to 403H

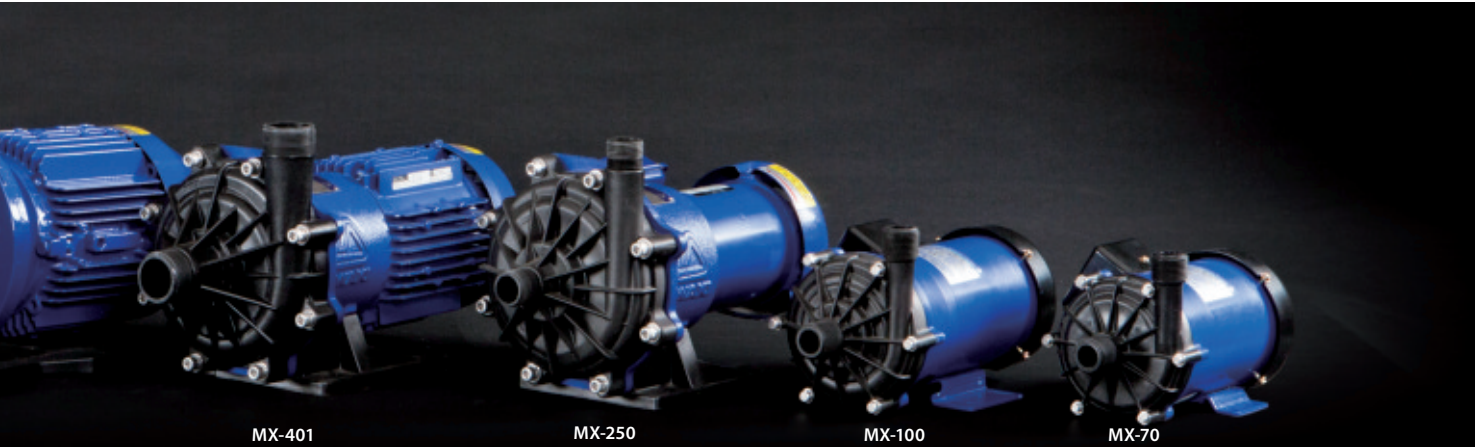


■ MX-505

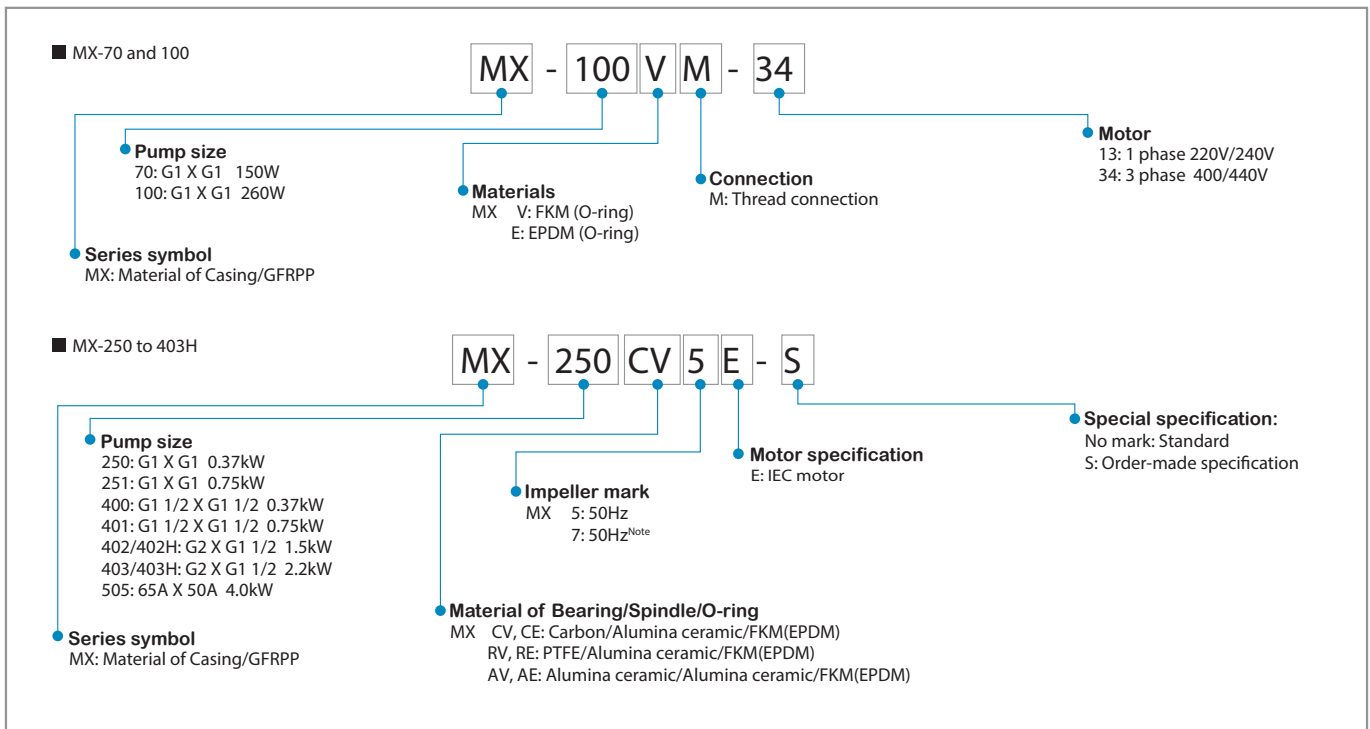


Model	MX-250 to 505		MX-250 to 401
	CV(CE)	RV(RE)	AV(AE)
1 Front casing	GFRPP		
2 Impeller	GFRPP		
3 Rear casing	GFRPP		
4 Magnet capsule	PP		
5 O ring	FKM(EPDM)		
6 Spindle	Alumina ceramic		
7 Bearing	Carbon	PTFE	Alumina ceramic
8 Rear thrust	CFRPPS (MX-402 to 505: CFRPEEK)		
9 Mouth ring	PTFE		
10 Thrust/Liner ring	Alumina ceramic		
11 Lock pin	GFRPPS(Only available type 402 to 505)		-

Note 1: An O-ring made of AFLAS® is also available



Pump identification



Note: Applicable models are MX-250/251, 400 & 401.

Specifications

50Hz

Model	Connection Suction X Discharge	Limit of S.G. <small>Note 1</small>	Standard capacity L/min - m	Maximum capacity L/min <small>Note 3</small>	Motor kW	Mass kg <small>Note 4</small>
MX-70	G1 x G1 <small>Note 2</small>	1.2	50 - 5.4	90	0.15	6.5
MX-100	G1 x G1 <small>Note 2</small>	1.2	70 - 6	110	0.26	8.2
MX-250 (Impeller mark: 5)	G1 x G1	1.0	50 - 14	150	0.37	7.7
MX-250 (Impeller mark: 7)			50 - 11.7			
MX-251 (Impeller mark: 5)	G1 x G1	1.0	80 - 19	150	0.75	10.2
MX-251 (Impeller mark: 7)						
MX-400 (Impeller mark: 5)	G1 1/2 x G1 1/2	1.2	100 - 10.5	280	0.37	6.2
MX-400 (Impeller mark: 7)			100 - 9.5			
MX-401 (Impeller mark: 5)	G1 1/2 x G1 1/2	1.2	150 - 14.5	320	0.75	10.2
MX-401 (Impeller mark: 7)						
MX-402	G2 x G1 1/2	1.2	200 - 20	450	1.5	13.5
MX-402H	G2 x G1 1/2	1.0	100 - 30	160	1.5	13.5
MX-403	G2 x G1 1/2	1.2	250 - 23	500	2.2	14.5
MX-403H	G2 x G1 1/2	1.0	100 - 35	300	2.2	14.5
MX-505	65A x 50A	1.2	500 - 24.5	800	4.0	27.0

Note 1: The specific gravity limit varies with the discharge. For details, please contact us.

Note 2: 26mm tube connection option available on the MX-70 and MX-100.

Note 3: AV(AE) type is different in discharge capacity. For details, please contact us.

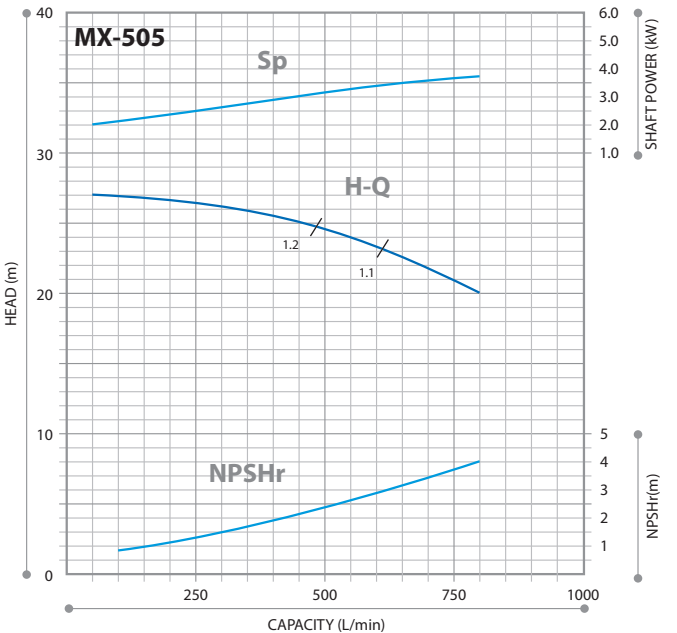
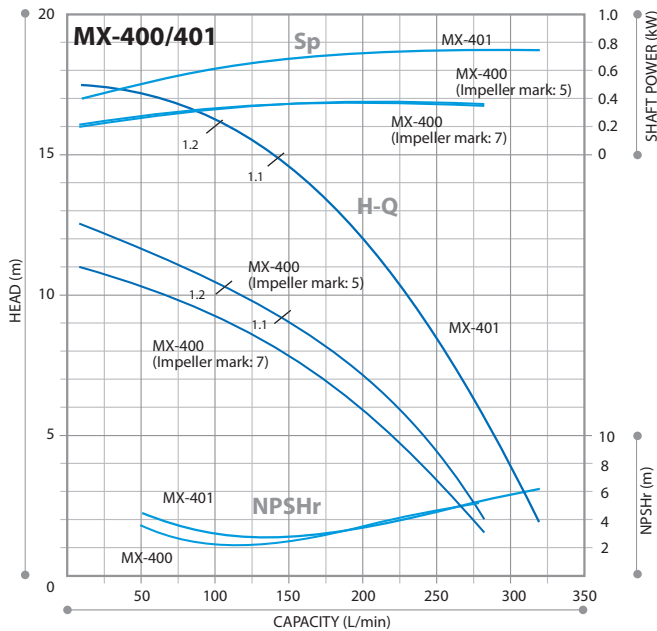
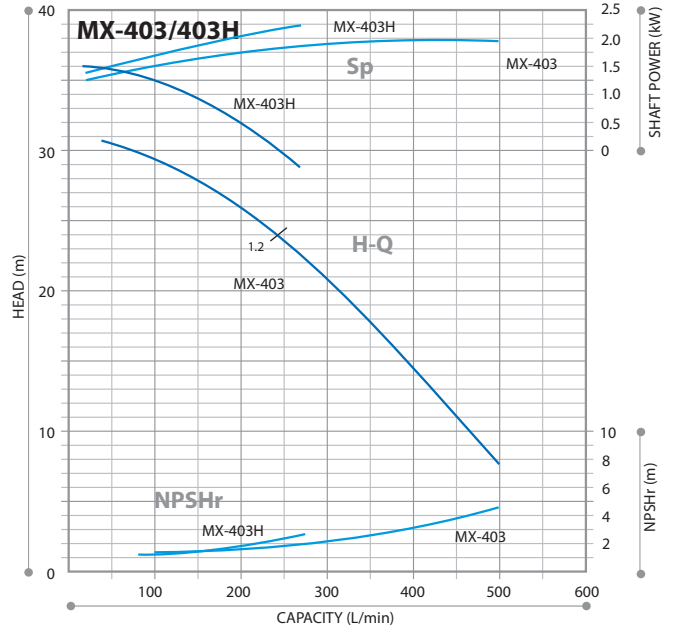
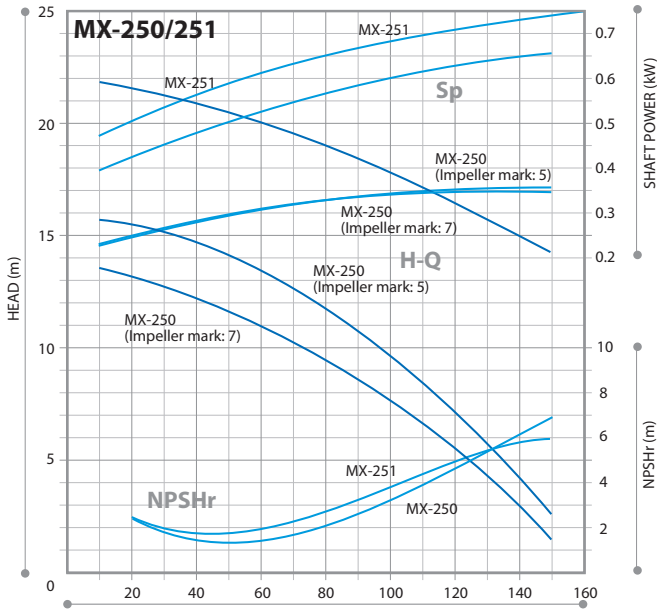
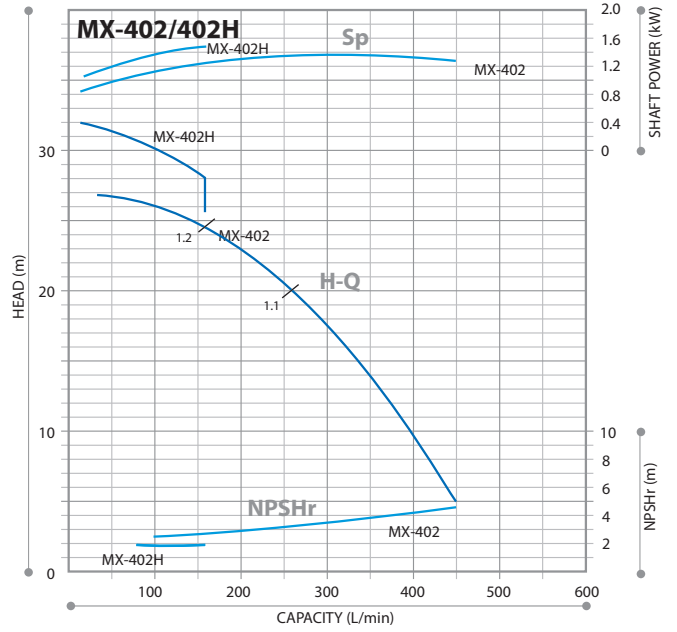
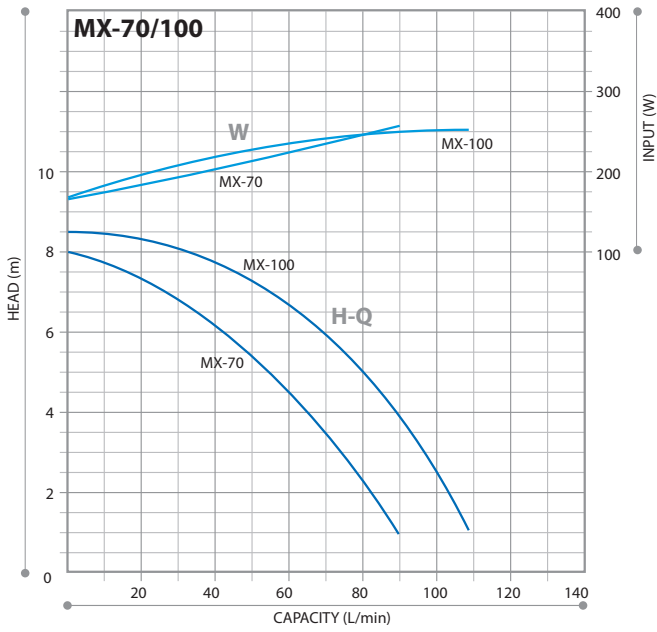
Note 4: Less motor except MX-70 and 100.

Common specifications

• Range of liquid temperature : 0 to 80°C (10 to 80°C in case AFLAS® O-rings are used.) • Range of ambient temperature : 0 to 40°C.

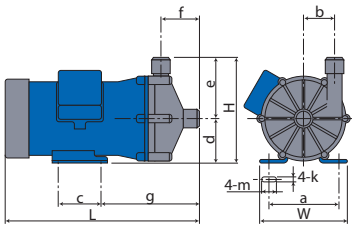
Performance curves

50Hz

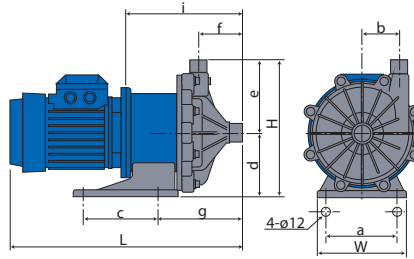


Dimensions

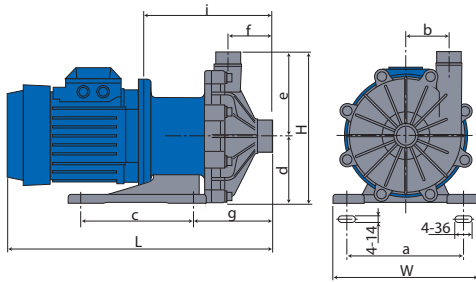
■ MX-70, 100
Note



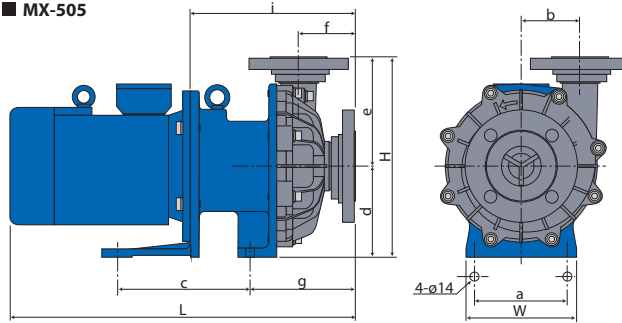
■ MX-250 to 401



■ MX-402, 402H, 403, 403H



■ MX-505



Models	W	H	L	a	b	c	d	e	f	g	k	m	i
MX-70	130	155	258.5	110	48	40	65	90	53	159.5	7	11	—
MX-100	150	175	319.5	110	51	70	75	100	65	162	9	27	—
MX-250	160	247.5	—	130	65	130	115	132.5	82.5	155.5	—	—	213.5
MX-251	160	247.5	—	130	65	130	115	132.5	82.5	163.5	—	—	225.5
MX-400	140	219	—	110	54	98	95	124	81	144	—	—	215
MX-401	160	249	—	130	72	130	115	134	97	178	—	—	240
MX-402, 402H, 403, 403H	260	274	—	208	80	200	120	154	83	151	—	—	235
MX-505	180	330	—	140	96	220	150	180	95	175	—	—	275

Note: MX-70 and MX-100 shows thread type in the above dimensions, Please contact us for tube connection type.

Optional accessories

Iwaki pump protector DRN series

Detects unusual pump operating conditions including dry-running and overload

The DRN model protects equipment (including pumps) from damage!
Minimizes production downtime.
Identifies possible causes of alarms so they can be investigated and addressed.

- | | |
|--------------------|---|
| Multiple Input | Two analog, one digital, one temperature input and one current input |
| Easy operation | Equipped with EASY setup mode to remember the operation status and set the lower/upper limit values, as well as AUTO setup mode |
| Bar graph | Visible indication of current operating status |
| Logging capability | Data log feature for preventative maintenance scheduling |
| Communication | RS485 external communication capability |



Specifications

Model	DRN-01	DRN-02
Amperometric range	0.5-30.00A	5.0-200.0A
Unit's source voltage	AC100-240V 50Hz 10VA	
Operating temperature	0-40°C	
Operating humidity	35-85%RH	

Iwaki process magnetic drive pump series

MX-F series

Withstands difficult operating conditions and offers high efficiency

Max. discharge capacity: 510 L/min
Max. discharge head: 30 m
Main materials: CFRETFE



SMX series

Versatile self-priming magnetic drive pump with enhanced durability under abnormal operation

Max. discharge capacity: 440 L/min
Max. head: 25.5 m
Main materials: GFRPP, CFRETFE



MXM series

Magnetic drive pumps with an excellent balance of features and performance

Max. discharge capacity: 600 L/min
Max. head: 29 m
Main materials: CFRETFE



MDM series

Magnetic drive processing pump with dry running capability


Max. discharge capacity: 1.4 m³/min
Max. head: 74 m
Main materials: CFRETFE, PFA



<https://www.iwaki.de>

IWAKI Europe GmbH, Siemensring 115, 47877 Willich, Germany
TEL: +49 2154 9254 0 FAX: +49 2154 9254 48 E-Mail: sales@iwaki.de

 Caution for safety use:
Before use of pump, read instruction manual carefully to use the product correctly.

 Legal attention related to export.

Our products and/or parts of products fall in the category of goods contained in control list of international regime for export control. Please be reminded that export license could be required when products are exported due to export control regulations of countries.

Actual pumps may differ from the photos.
Specifications and dimensions are subject to change without prior notice.
For further details please contact us.

The posting and copying from this catalogue without permission is not accepted firmly.